



SebelTM

Podium

THE ULTIMATE IN STADIUM AND AUDITORIUM SEATING.

Award winning products, providing the ultimate comfort and durability for stadiums and auditoriums worldwide.



For over 60 years, Sebel has been committed to delivering top-quality products that excel in performance and longevity.

Our high performing spectator seating products have been the go-to choice for hundreds of stadiums, grand stands, lecture theatres and halls around the globe.

Experience the epitome of spectator seating with Podium.

Originally purpose built and designed for the 2000 Sydney Olympics, our Podium took out the Australian Design Award. Since then, it has featured in hundreds of stadiums and auditoriums around Australia, and across the globe. From ANZ and Suncorp stadium to leading Universities, Podium offers the highest quality spectator comfort, strength and durability like no other!

Its unparalleled award winning design continues to make it the go-to choice for spectator seating.

Podium offers superior, high performing features, such as:

- Premium quality UV resistant polypropylene to keep your Podium seating looking as good as new
- Full length wrap-around back for better lumbar support
- Easy clean high gloss finish
- Waterfall front edge gives extra knee support where needed, maximising comfort for long sitting periods
- Three quarter gravity tilt reduces seat maintenance
- Non-destructive dismantling enables seat re-use
- Non-permanent rail mounting system for configuration flexibility



Podium offers a variety of options

- Backrest styles
- Folding tablet arms
- Branded stamping and embroidery options
- Armrests and cup holders
- Upholstered seat and back
- Mounting options
- Row and seat identification
- UV and/or fire rated
- GPO and/or USB power
- Dust shroud cover
- Tablets for wheelchair users



Backrest styles

Available in a range of different backrests to complement any venue design requirements

Branded stamping and embroidery options

Stamp/embroider your logo for brand awareness and revenue generation opportunities.



Folding tablet arms

Generous 'anti-panic' tablet arms make it the ideal choice for lecture and auditorium seating.

GPO and/or USB Power

General purpose outlets and/or USB ports can be incorporated into the seats.



Various mounting options

Suits riser and pedestal mount platforms. Perfect for any application, from indoor arenas, stadiums and educational facilities.

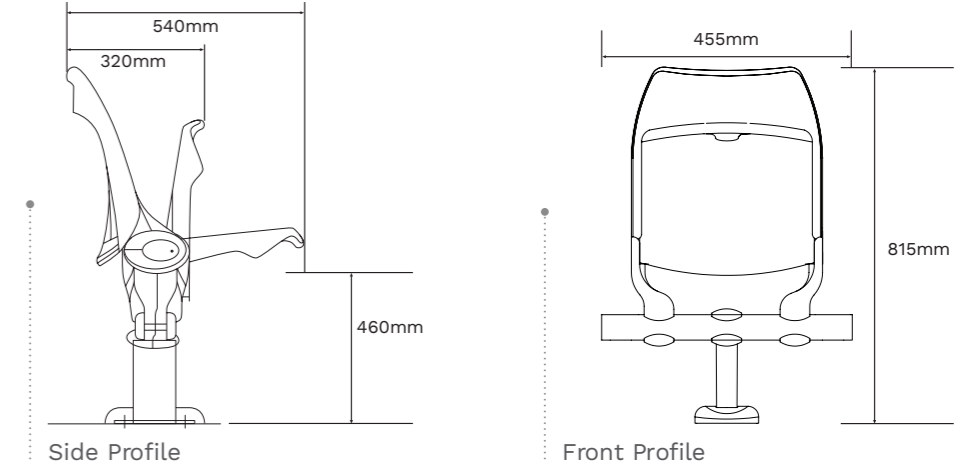


Row and seat identification

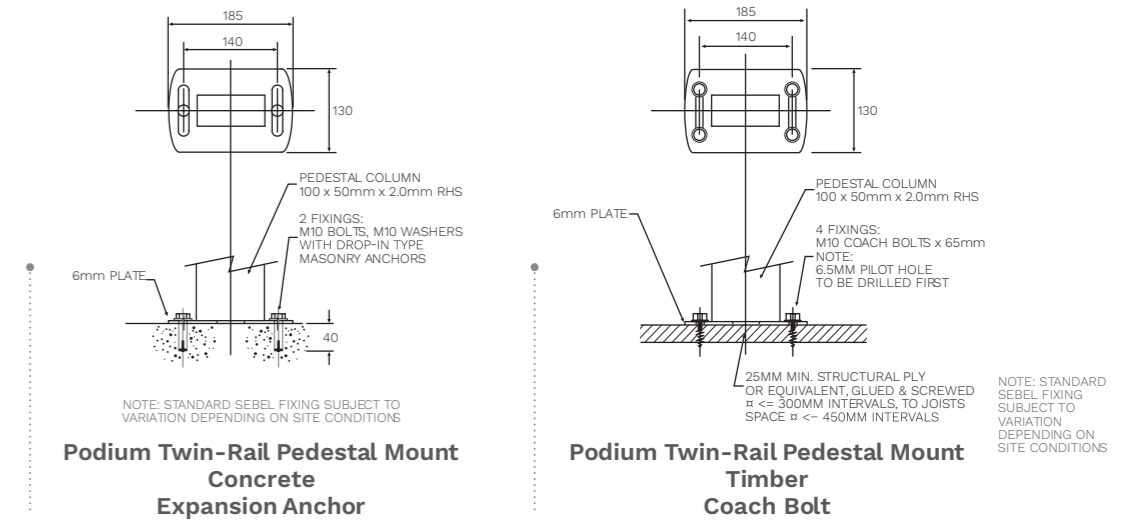
Seat numbering on front lip. Row lettering and row end illumination available.

Podium layout dimensions

	Seat centres (mm)	Tread depth minimum (mm)
Podium	460	800
Podium with arms	510	800
Podium with A4 size tablet	530	850
Podium with A3 size tablet	530	900



Available for both concrete and timber mounts



Superior seating, superior service



When it comes to high performing, built to last products, Sebel is unrivalled. Our design philosophy and extensive project experience ensures a hassle-free journey from start to finish, while also providing the best cost of life for your venue seating.

CAD Designs & Seating layouts

We have the experience, design tools and resources including custom CAD drawings and floor plans to assist you when creating your ideal seating layout.

Spare parts

Sebel has an extensive range of spare parts available to keep your seating safe and looking good over the decades.

Seat re-upholstery

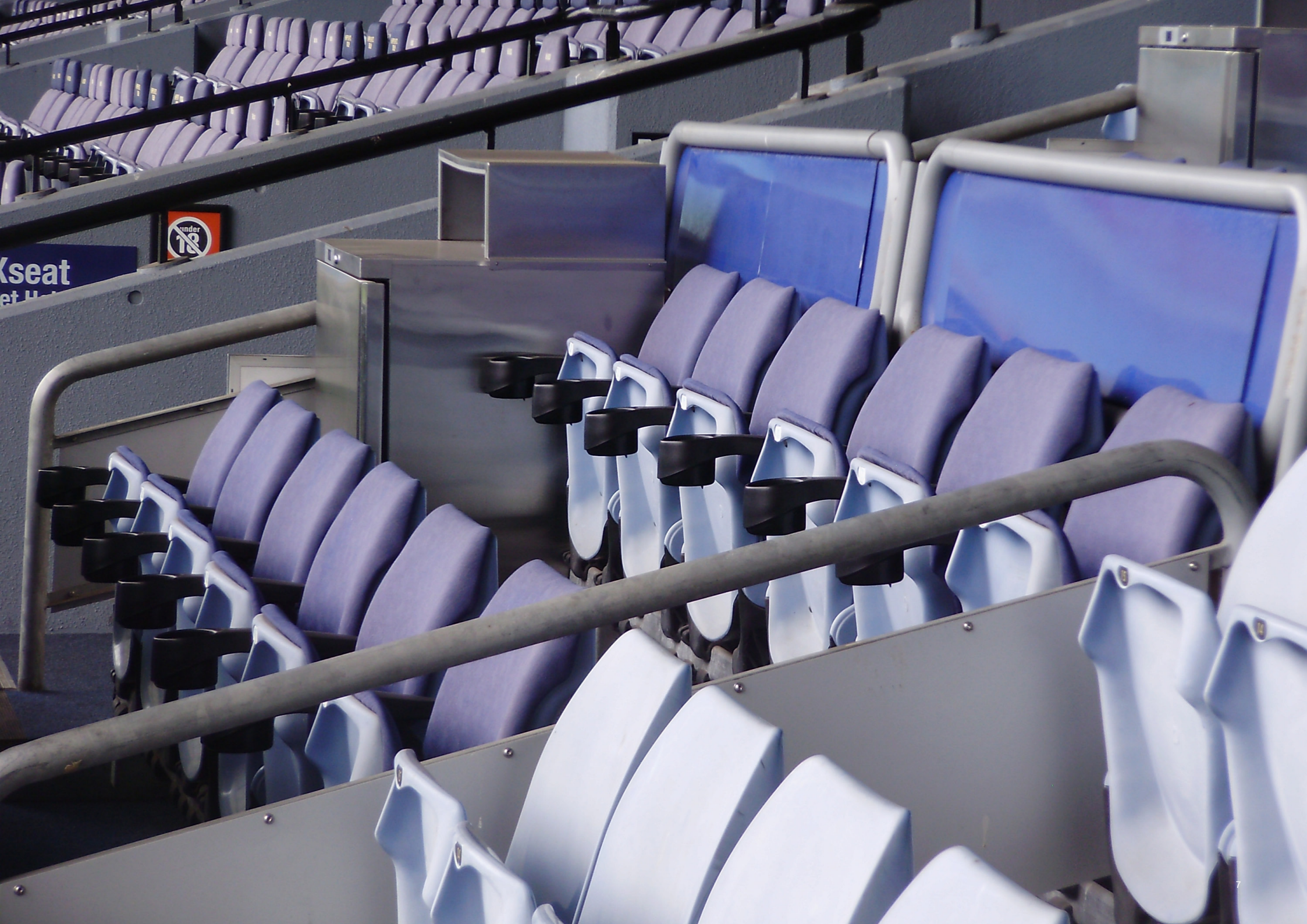
Give your venue a hassle-free facelift with the option of re-upholstering your seats.

Project management & installation

Our team of experienced project managers will ensure your installation is hassle-free, from start to finish.

Seat replacement

Cleverly designed so you can swap out your seating and upgrade your venue with minimum fuss and cost.





Give our team a call today

1300 664 732

sales@sebelfurniture.com

Check out our full range at

www.sebelfurniture.com